

STYLE. QUALITY. FUNCTION.

**ARPANEL**

# Accessories for light cladding system



**PROFILAR**



<b>FIXING PROFILES (LS)</b>	4
-----------------------------	---

---

<b>Flashings</b> for horizontal facade system (OBPZ)	5
--	---

---

<b>Flashings</b> for vertical facade system (OBPI)	11
--	----

---

<b>Flashings</b> for roof cladding system (OBD)	21
---	----

---

<b>Flashings</b> for cold store objects (OBCH)	29
--	----

---

<b>Installation accessories</b>	32
---------------------------------	----

#### **Additional information:**

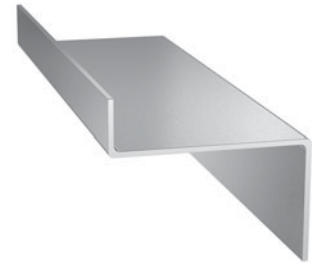
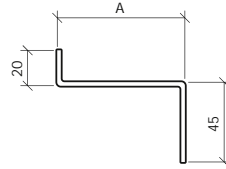
- Metal sheet flashings are made from the zinc coated sheet with the polyester coat 25 µm;
- Standard thickness of metal sheet details: 0,50, 0,63, 0,70, 0,75 mm (the exception is the flashing OBD-5, normally thick. 1,0 mm);
- Standard flashings and fixing profiles are available at lengths from 1,00 m to 6,00 m (the exception is OBD-3, which is 1,00 m long), other lengths of flashings must be consulted with the manufacturer;
- Standard thickness of fixing profiles are 2,0 mm;
- Fixing profiles are made from zinc coated metal sheet, Z275 layer, uncoated.



### LS-1

Fixing profile A  
for ARPANEL S

Panel thickness [mm]	40	60	80	100	120	150	160	180	200
Extension [mm]	88	108	128	148	168	198	208	228	248
<b>A</b>	31	51	71	91	111	141	151	171	191

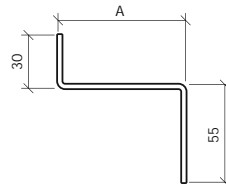


Detail: 1.1

### LS-2

Fixing profile B  
for ARPANEL SU

Panel thickness [mm]	60	80	100	120
Extension [mm]	113	133	153	173
<b>A</b>	36	56	76	96

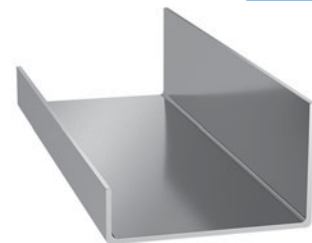
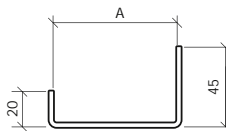


Detail: 1.2

### LS-3

Fixing profile C  
for ARPANEL S

Panel thickness [mm]	40	60	80	100	120	150	160	180	200
Extension [mm]	91	111	131	151	171	201	211	231	251
<b>A</b>	30	50	70	90	110	140	150	170	190

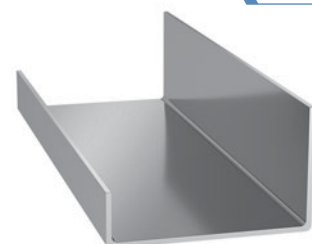
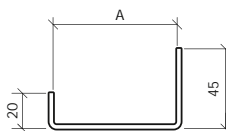


Detail: 1.3

### LS-4

Fixing profile D  
for ARPANEL SU

Panel thickness [mm]	60	80	100	120
Extension [mm]	99	119	139	159
<b>A</b>	38	58	78	98



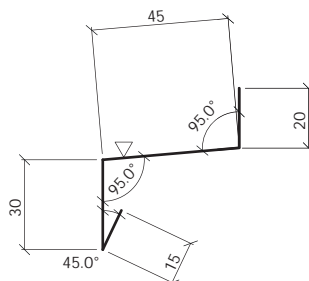
Detail: 1.3

### OBPZ-1

Eaves flashing A

Panel thickness [mm] 40-200

Extension [mm] 110



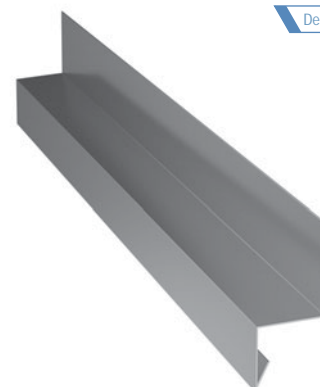
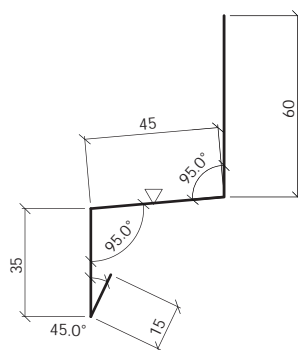
Detail: 1.1

### OBPZ-2

Eaves flashing B

Panel thickness [mm] 40-200

Extension [mm] 155



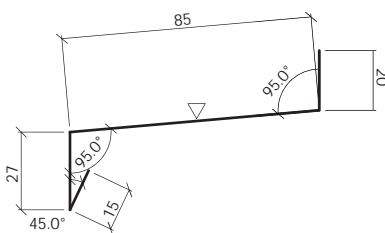
Detail: 1.2

### OBPZ-3

Eaves flashing C

Panel thickness [mm] 40-200

Extension [mm] 147

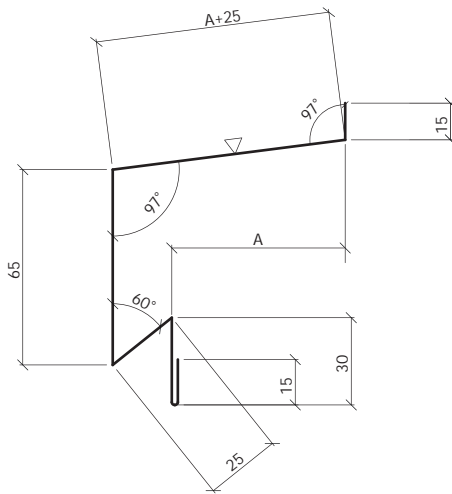


Detail: 1.3

**OBPZ-4**  
Window sill flashing

Panel thickness [mm] 40-200

Extension [mm] to be dimensioned



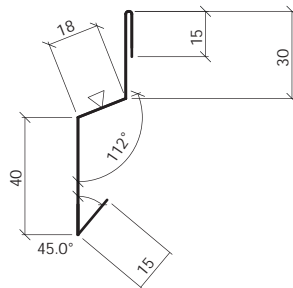
Detail: 1.12



**OBPZ-5**  
Eaves flashing

Panel thickness [mm] 40-200

Extension [mm] 118



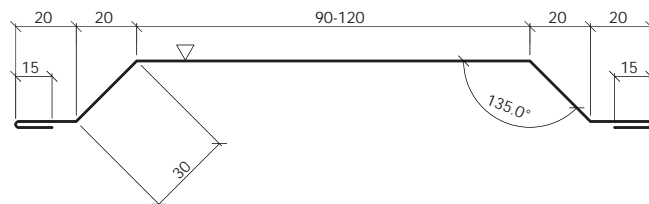
Detail: 1.12, 1.13, 2.7



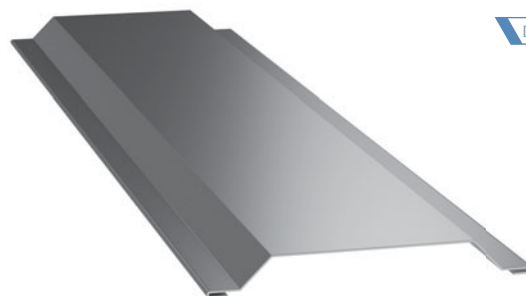
**OBPZ-6**  
Mask flashing A

Panel thickness [mm] 40-200

Extension [mm] 220-250



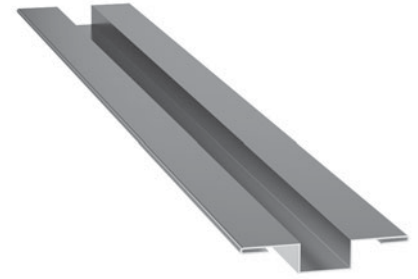
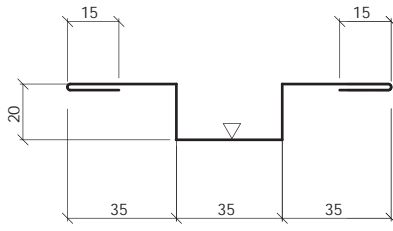
Detail: 1.4, 1.7, 1.9



## 2. Flashings for horizontal facade system (OBPZ)

### OBPZ-7 Mask flashing B

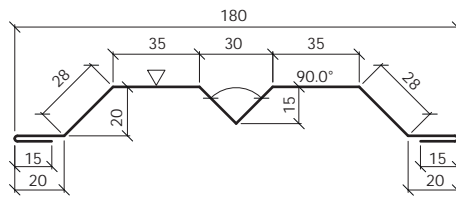
Panel thickness [mm]	40-200
Extension [mm]	175



Detail: 1.5

### OBPZ-8 Mask flashing C

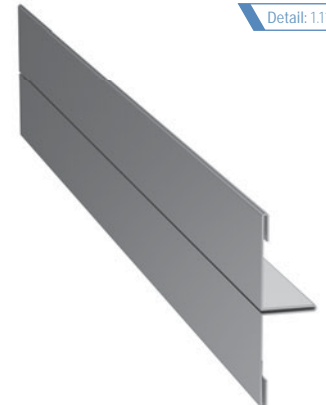
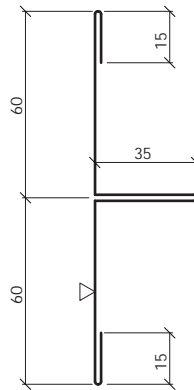
Panel thickness [mm]	40-200
Extension [mm]	238



Detail: 1.6

### OBPZ-9 Mask gap flashing

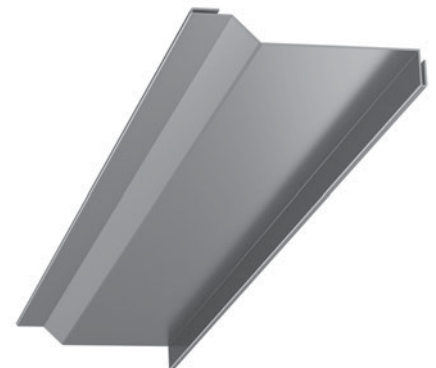
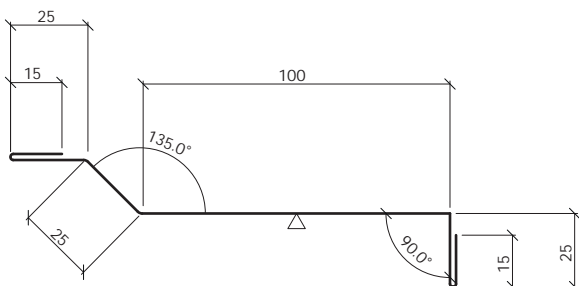
Panel thickness [mm]	40-200
Extension [mm]	220



Detail: 1.11

### OBPZ-10 Internal mask flashing

Panel thickness [mm]	40-200
Extension [mm]	205



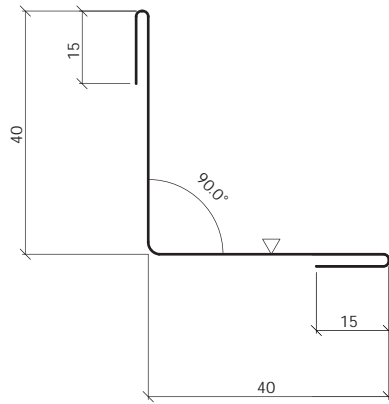
Detail: 1.10

### OBPZ-11

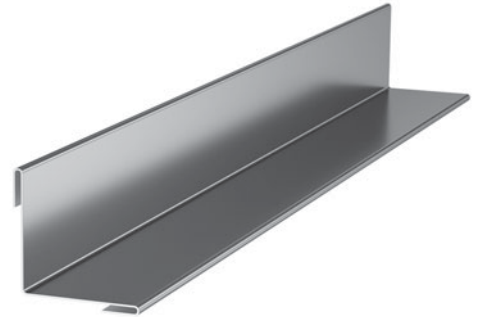
Corner internal flashing

Panel thickness [mm] 40-200

Extension [mm] 110



Detail: 1.12



### OBPZ-12

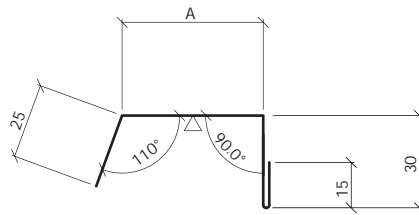
Lintel flashing

Panel thickness [mm] 80 100

Extension [mm] 95 115

A

25 45



Detail: 1.12



### OBPZ-13

Gate flashing

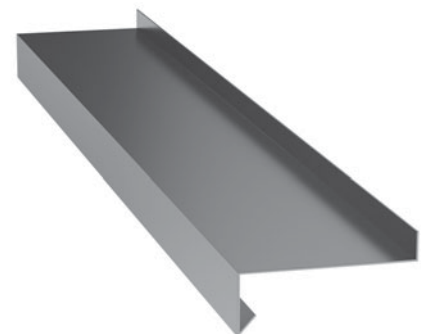
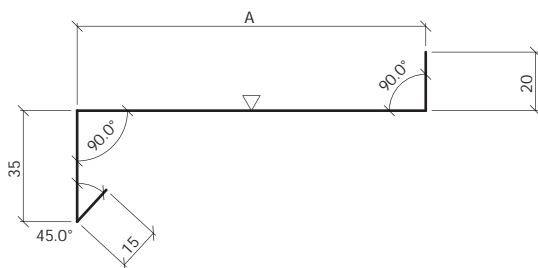
Panel thickness [mm] 40 60 80 100

Extension [mm] 125 145 165 185

A

55 75 95 115

Detail: 1.13



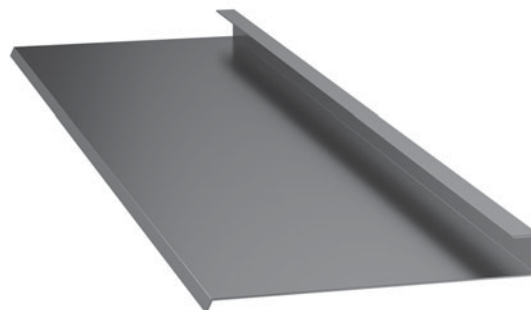


Detail: 1.13

### OBPZ-14

Gate flashing

Panel thickness [mm]	40	60	80	100
Extension [mm]	205	225	245	265
A	150	170	190	210

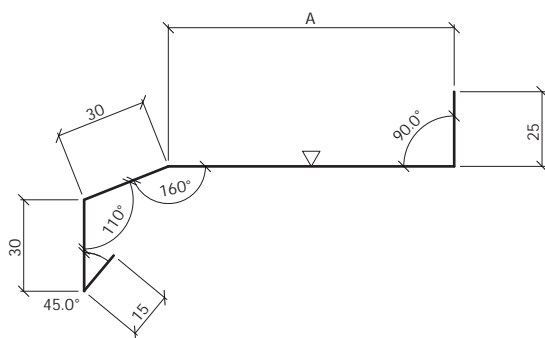
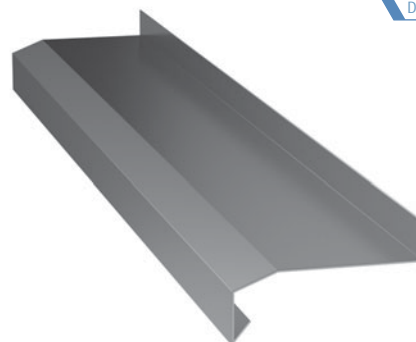


Detail: 1.12

### OBPZ-15

Lintel flashing

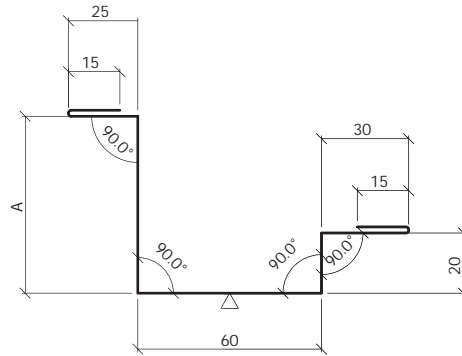
Panel thickness [mm]	40	60	80	100
Extension [mm]	134	154	174	194
A	34	54	74	94



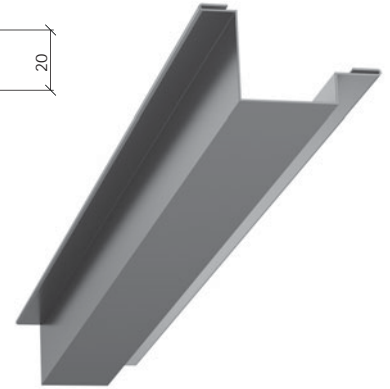
### OBPZ-16

Window flashing

Panel thickness [mm]	80	100	120
Extension [mm]	200	220	240
A	35	55	75



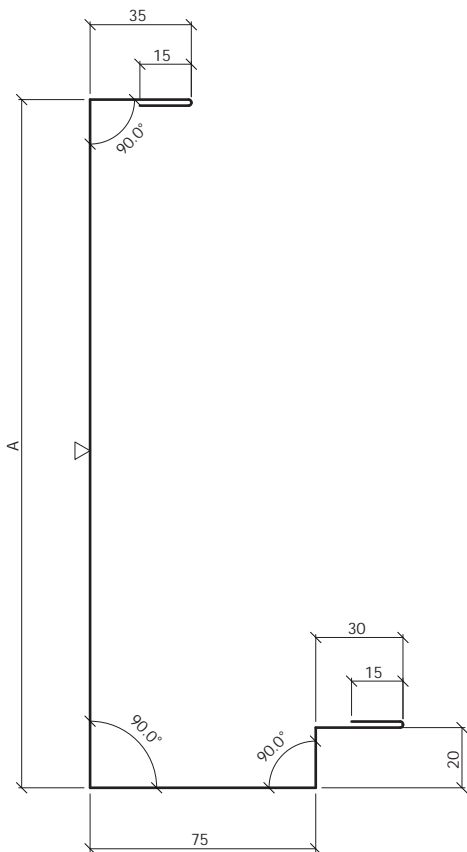
Detail: 1.12



### OBPZ-17

Side flashing

Panel thickness [mm]	40	60	80	100
Extension [mm]	345	365	385	405
A	155	175	195	215



Detail: 1.13

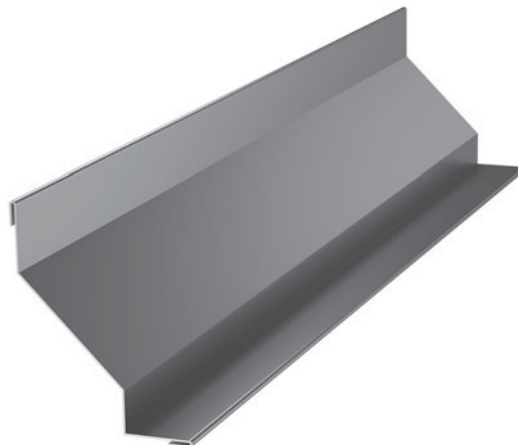
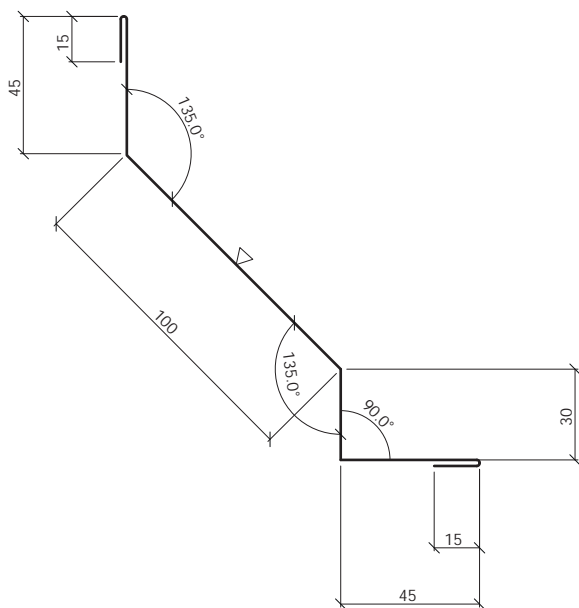


#### OBPI-1

Shield internal flashing

Detail: 2.2.2.3

Panel thickness [mm]	40-200
Extension [mm]	250

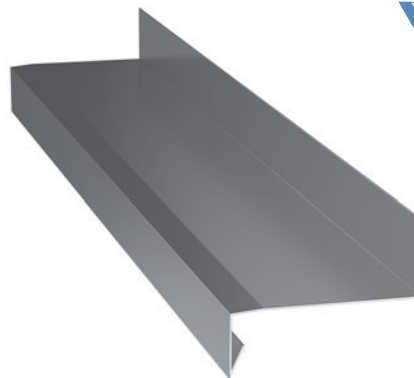
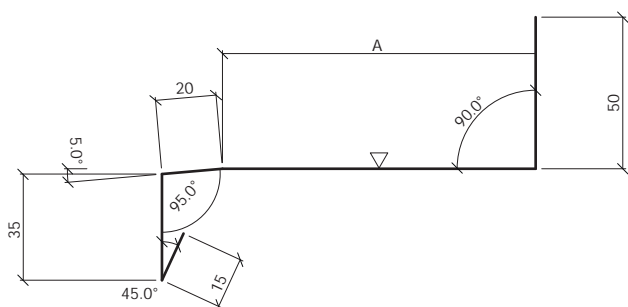


#### OBPI-2

Plinth flashing

Panel thickness [mm]	60	80	100	120
Extension [mm]	184	204	224	244
<b>A</b>	64	84	104	124

Detail: 2.2

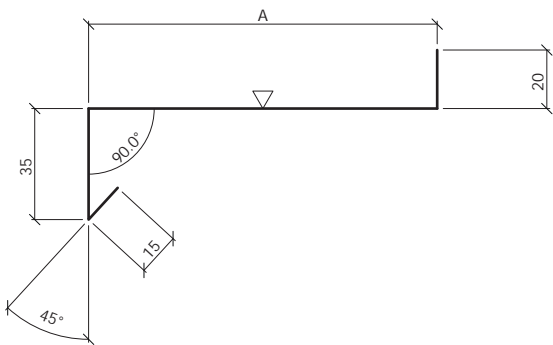
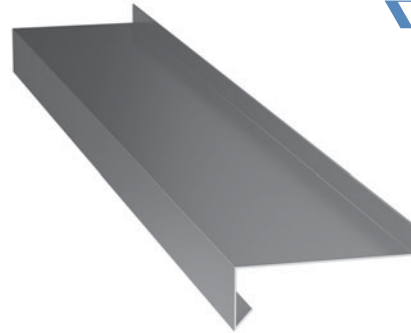


### OBPI-3

Gate flashing

Detail: 2.11

Panel thickness [mm]	60	80	100	120
Extension [mm]	145	165	185	205
<b>A</b>	75	95	115	135

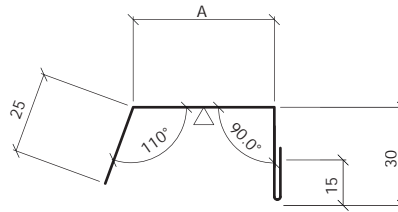


### OBPI-4

Lintel flashing

Detail: 2.10

Panel thickness [mm]	80	100	120
Extension [mm]	97	117	137
<b>A</b>	27	47	67

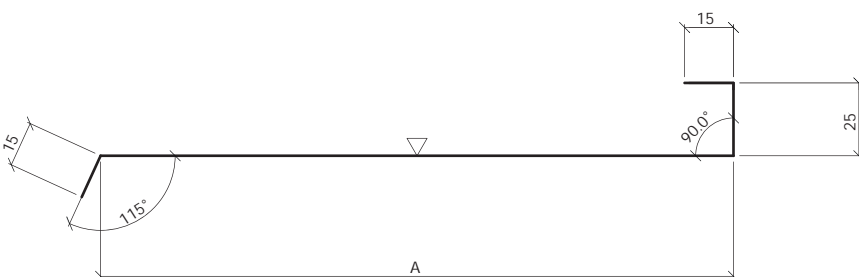
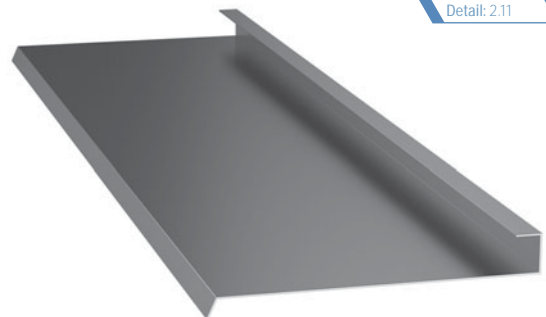


### OBPI-5

Gate flashing

Detail: 2.11

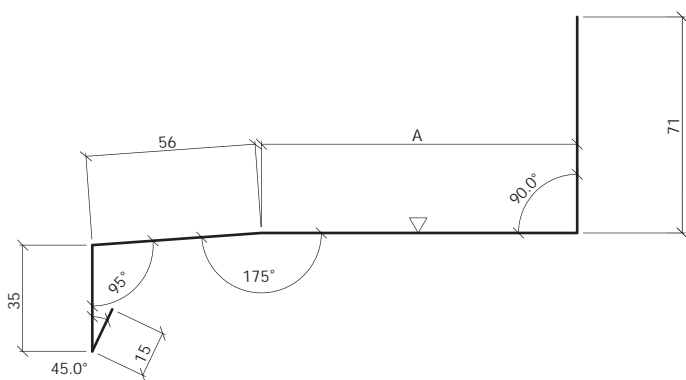
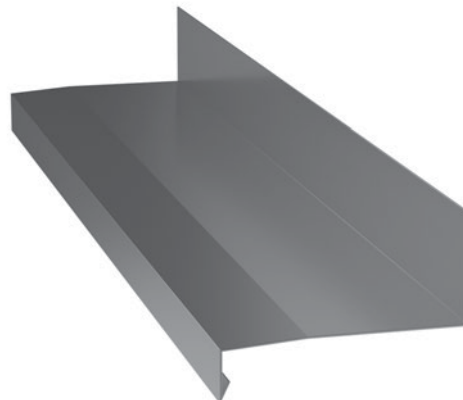
Panel thickness [mm]	60	80	100	120
Extension [mm]	225	245	265	285
<b>A</b>	170	190	210	230



#### OBPI-6 Plinth flashing

Detail: 2.3

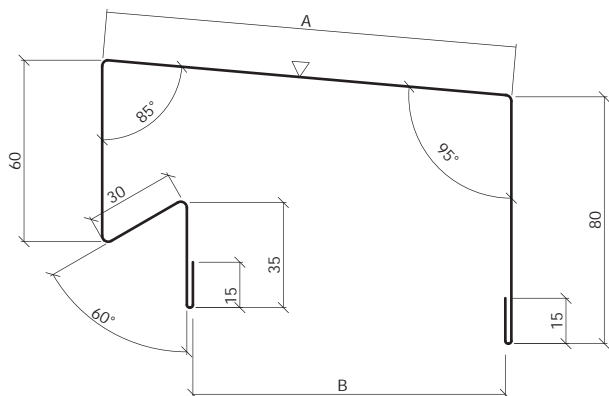
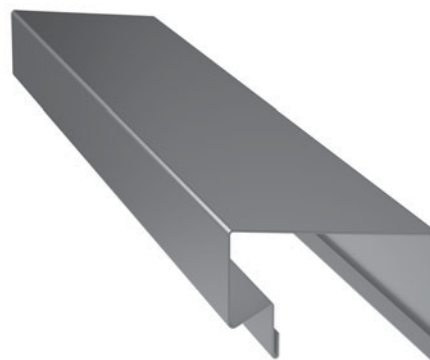
Panel thickness [mm]	60	80	100	120
Extension [mm]	241	261	281	301
A	64	84	104	124



#### OBPI-7 Attic belt flashing

Detail: 2.4

Panel thickness [mm]	60	80	100	120
Extension [mm]	331	351	371	391
A	96	116	136	156
B	63	83	103	123

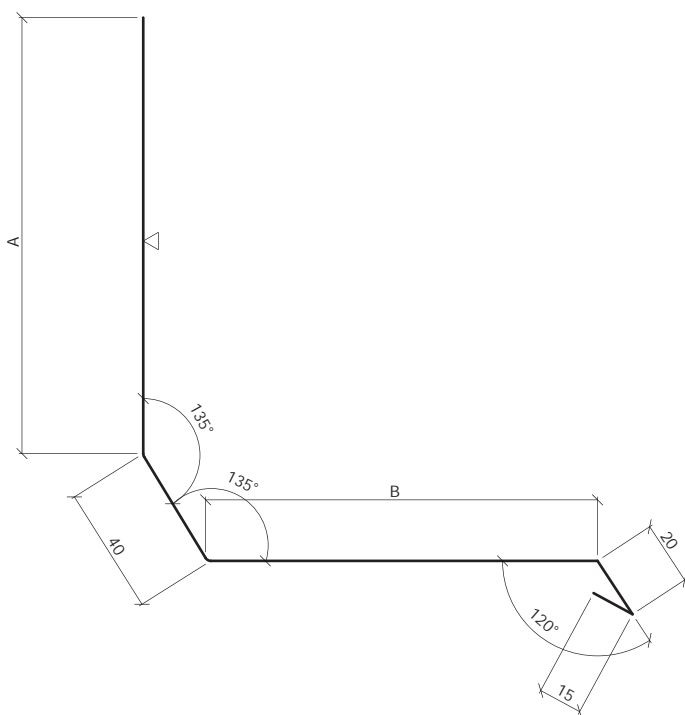
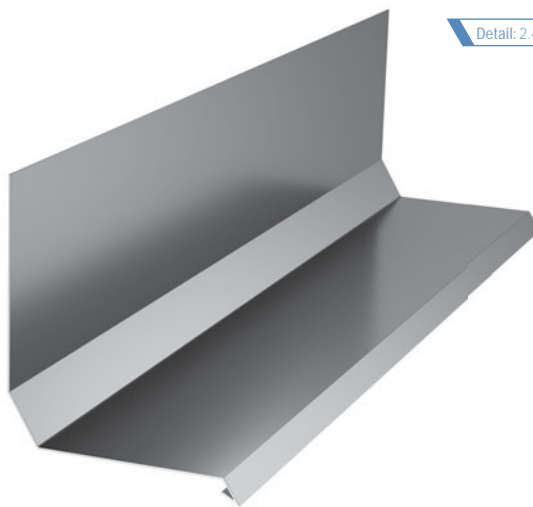


**OBPI-8**

Angle flashing

Detail: 2.4

Panel thickness [mm]	60	80	100	120
Extension [mm]	234	274	314	354
A	96	116	136	156
B	63	83	103	123



### 3. Flashings for vertical facade system (OBPI)

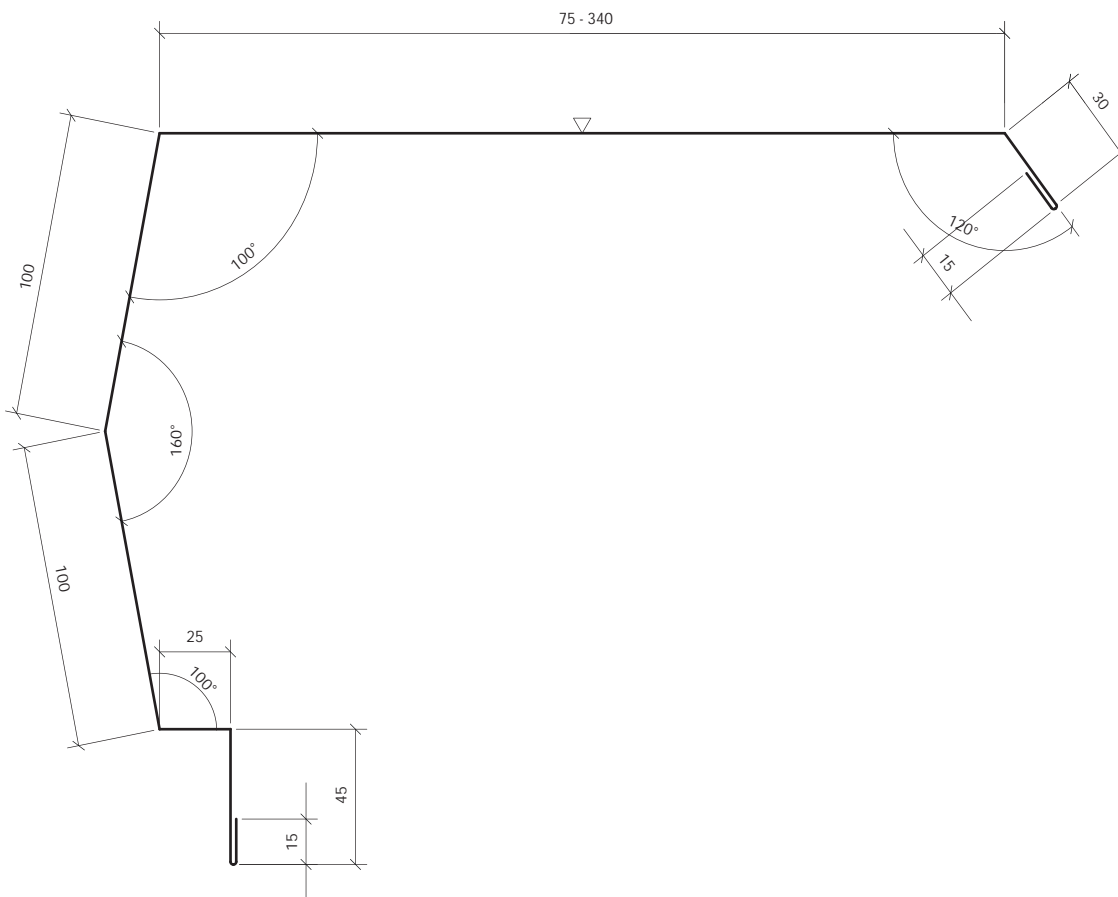
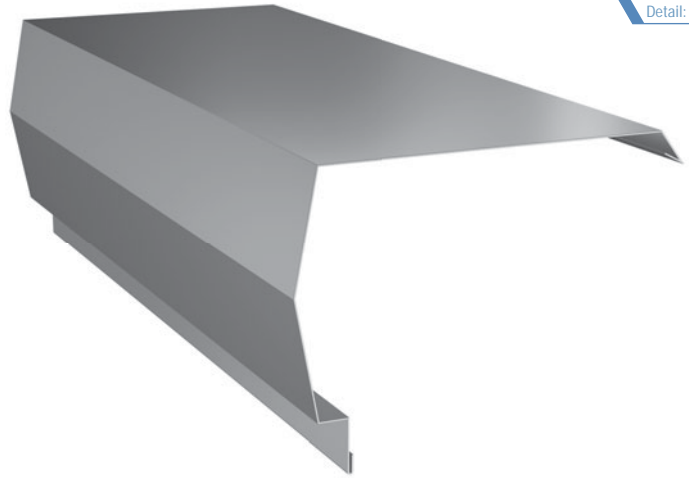
#### OBPI-9

Side wind flashing

Detail: 2.5

Panel thickness [mm] wall panel 40-200  
roof panel 40-120

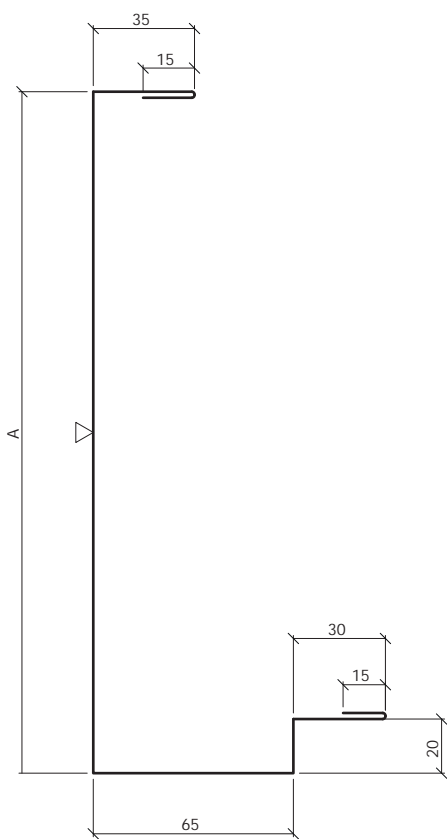
Extension [mm] 405-670



### OBPI-10

Side flashing

Panel thickness [mm]	60	80	100	120
Extension [mm]	355	375	395	415
A	175	195	215	235

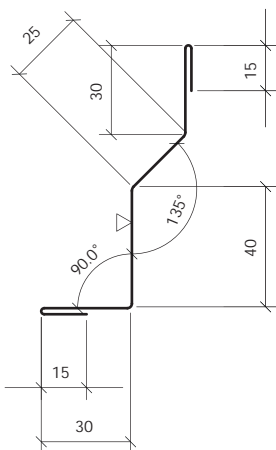


Detail: 2.11

### OBPI-11

Mask flashing

Panel thickness [mm]	40-200
Extension [mm]	155

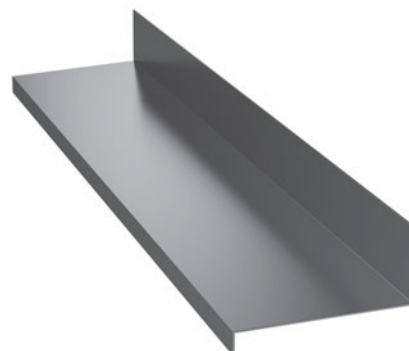


Detail: 2.6

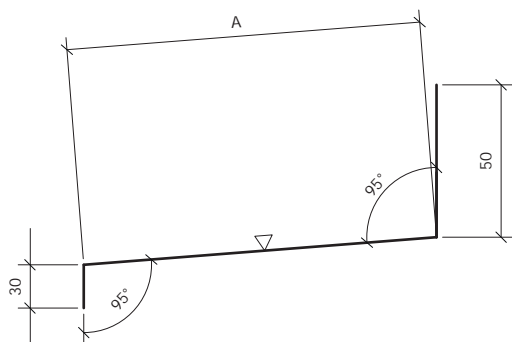


**OBPI-12**  
Mask flashing

Panel thickness [mm]	60	80	100	120
Extension [mm]	157	177	197	217
<b>A</b>	77	97	117	137



Detail: 2.7

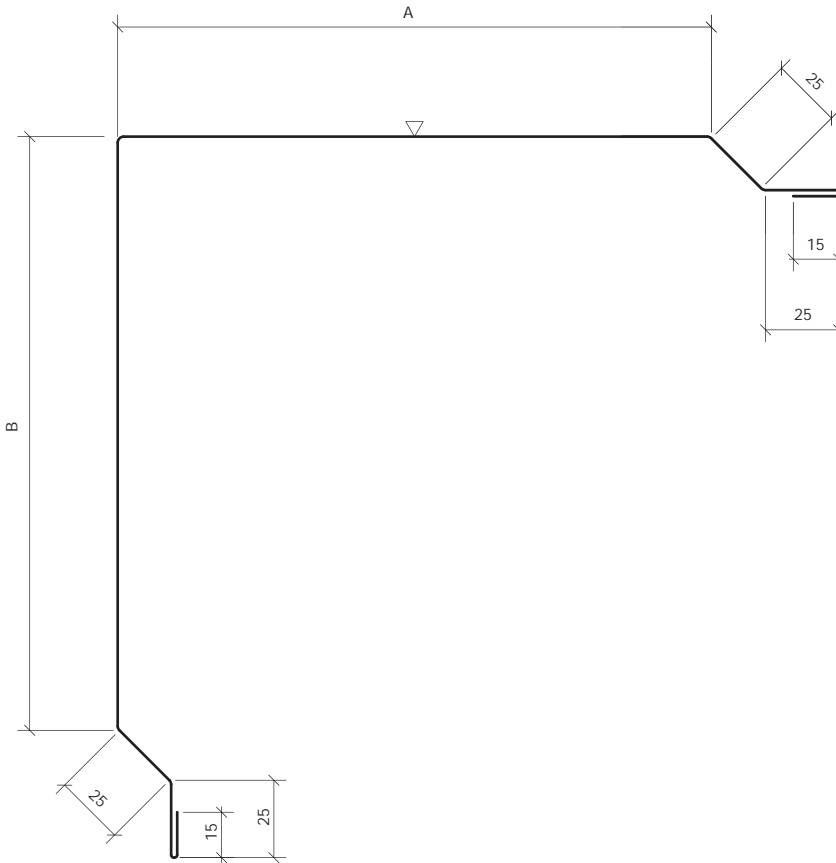
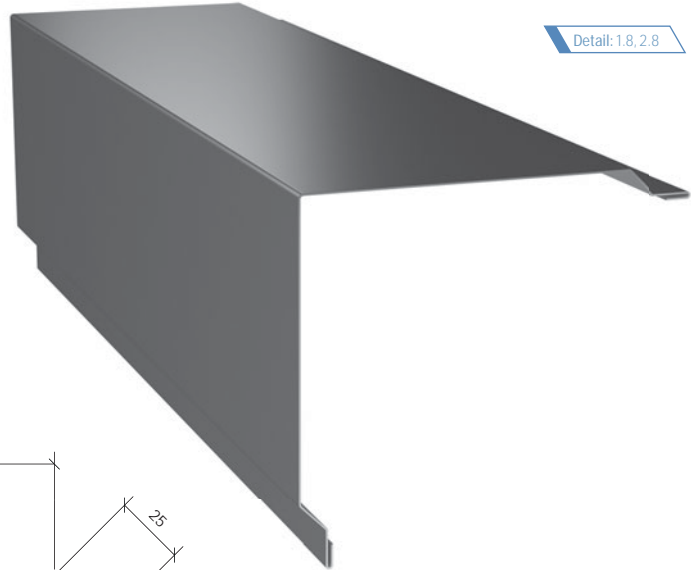


### OBPI-13

Corner flashing

Detail: 1.8, 2.8

Panel thickness [mm]	40	60	80	100	120
Extension [mm]	402	442	482	522	562
A	136	156	176	196	216
B	136	156	176	196	216

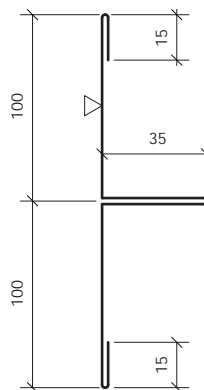


### OBPI-14

Mask gap flashing

Detail: 2.9

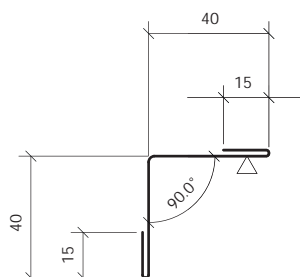
Panel thickness [mm]	40-200
Extension [mm]	300



### 3. Flashings for vertical facade system (OBPI)

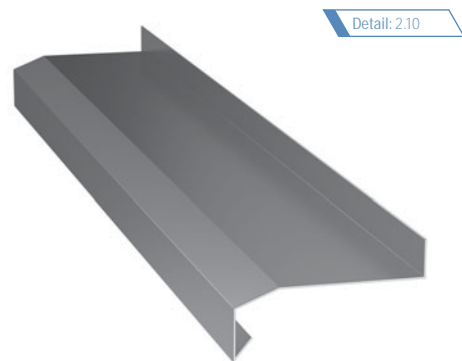
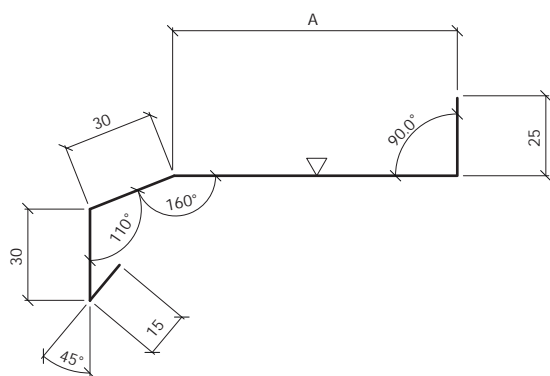
#### OBPI-15 Corner internal flashing

Panel thickness [mm]	40-200
Extension [mm]	110



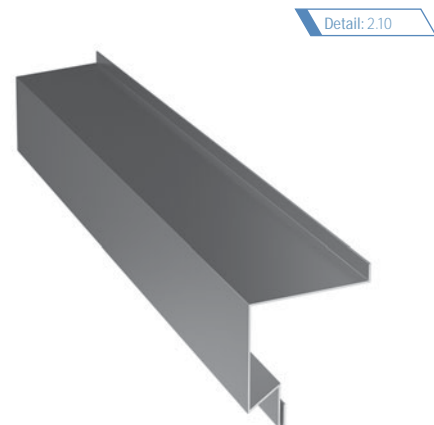
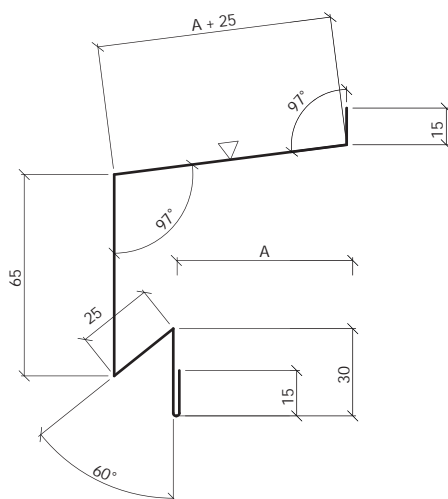
#### OBPI-16 Lintel flashing

Panel thickness [mm]	60	80	100	120
Extension [mm]	154	174	194	214
<b>A</b>	54	74	94	114



#### OBPI-17 Window sill flashing

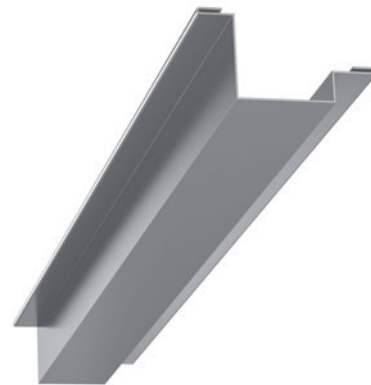
Panel thickness [mm]	40-200
Extension [mm]	to be dimensioned



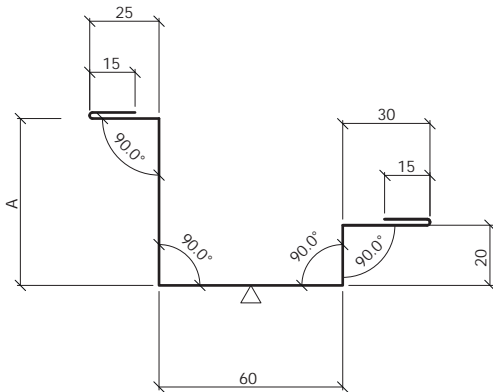
### OBPI-18

Window flashing

Panel thickness [mm]	80	100	120
Extension [mm]	200	220	240
<b>A</b>	35	55	75



Detail: 2.10

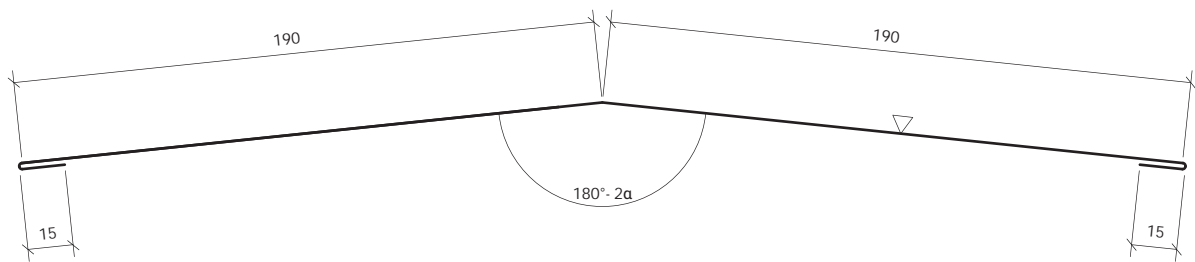
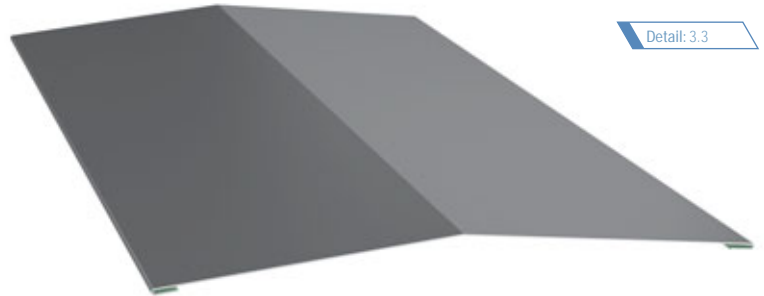


# 4. Flashings for roof cladding system (OBD)

## OBD-1 Ridge external flashing

Detail: 3.3

Panel thickness [mm]	40-200
Extension [mm]	410

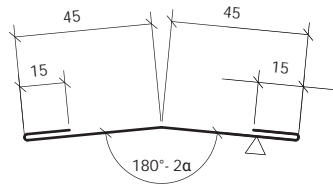


α - roof slope angle

## OBD-2 Ridge internal flashing

Detail: 3.3

Panel thickness [mm]	40-200
Extension [mm]	120

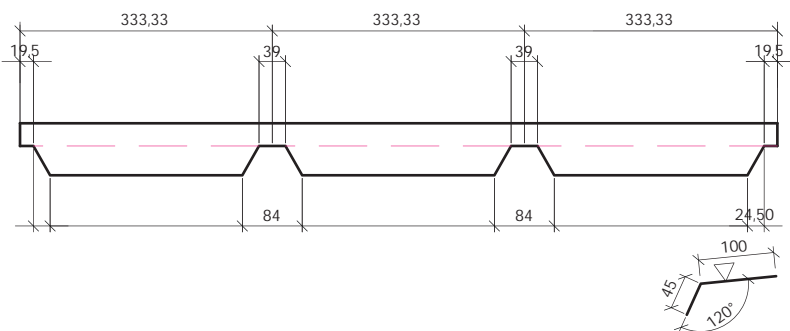
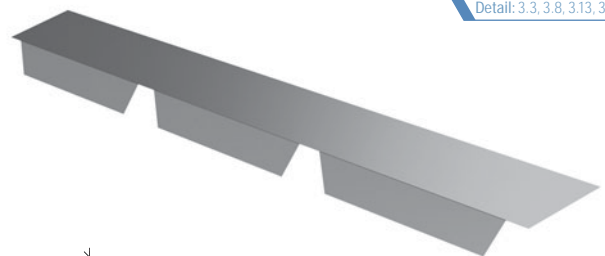


α - roof slope angle

## OBD-3 Mask flashing, so called "comb"

Detail: 3.3, 3.8, 3.13, 3.14

Panel thickness [mm]	40-200
Extension [mm]	145

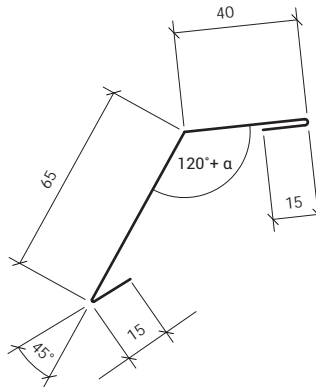


### OBD-4

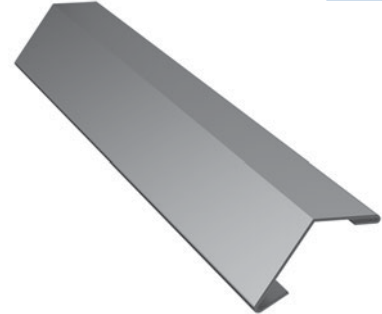
Flashing for completing the roof trapezoid

Panel thickness [mm] 40-200

Extension [mm] 135



Detail: 3.4



α - roof slope angle

### OBD-5

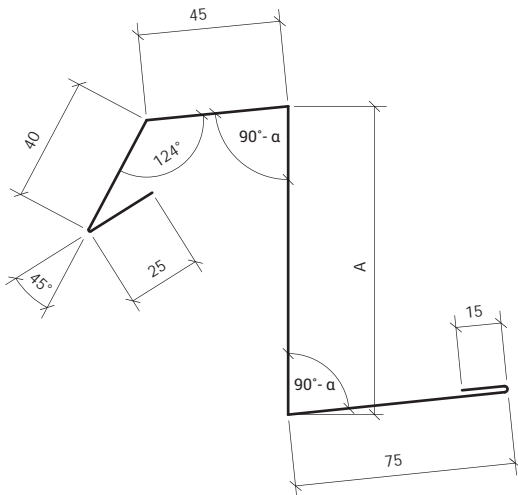
Gutter line flashing

Panel thickness [mm] 40 60 80 100 120

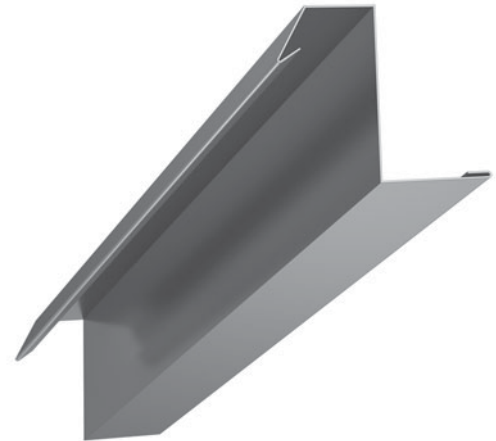
Extension [mm] 242 262 282 302 322

A

42 62 82 102 122



Detail: 3.4



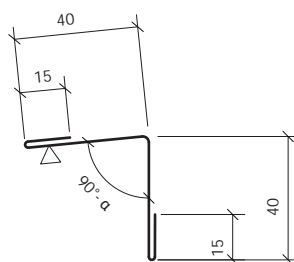
α - roof slope angle

### OBD-6

Corner internal flashing A

Panel thickness [mm] 40-200

Extension [mm] 110



Detail: 3.2, 3.4, 3.11, 3.12, 3.14



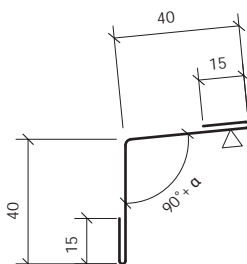
α - roof slope angle

# 4. Flashings for roof cladding system (OBD)

## OBD-7

Corner internal flashing B

Panel thickness [mm]	40-200
Extension [mm]	110



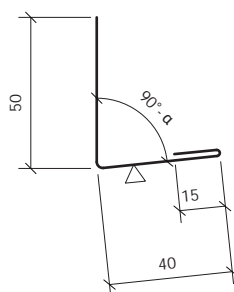
Detail: 3.4, 3.11

alpha - roof slope angle

## OBD-8

Closing flashing

Panel thickness [mm]	40-200
Extension [mm]	105



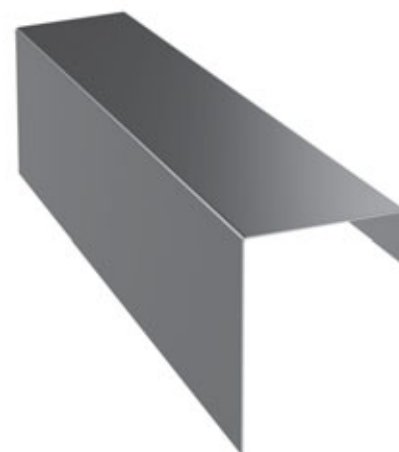
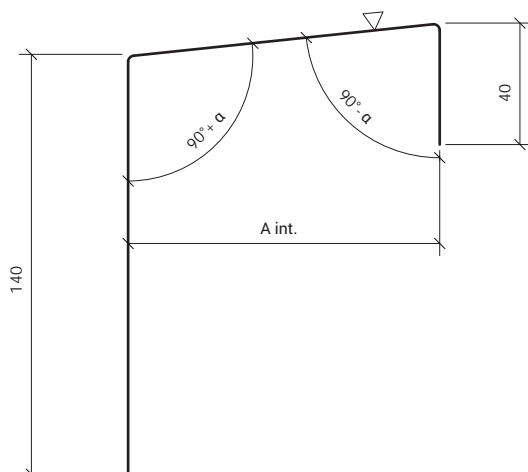
Detail: 3.5

alpha - roof slope angle

## OBD-9

Closing flashing

Panel thickness [mm]	40	60	80	100
Extension [mm]	228	248	268	288
<b>A</b>	45	65	85	105



Detail: 3.5

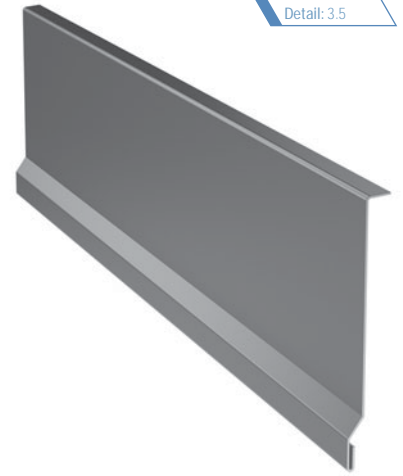
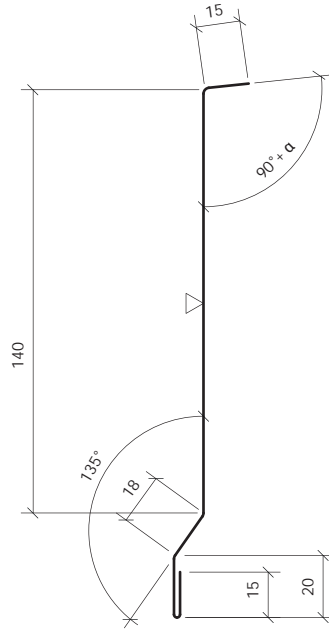
alpha - roof slope angle

### OBD-10

Eaves flashing A

Panel thickness [mm] 40-200

Extension [mm] 208



Detail: 3.5

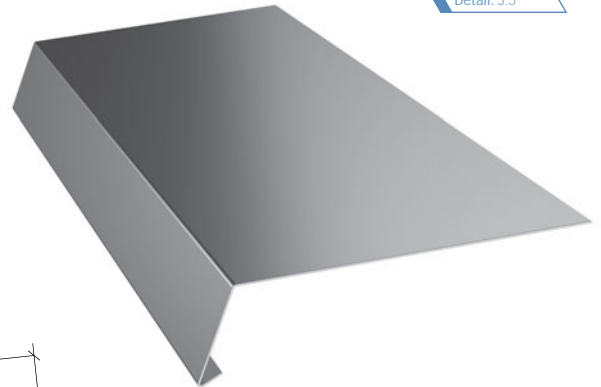
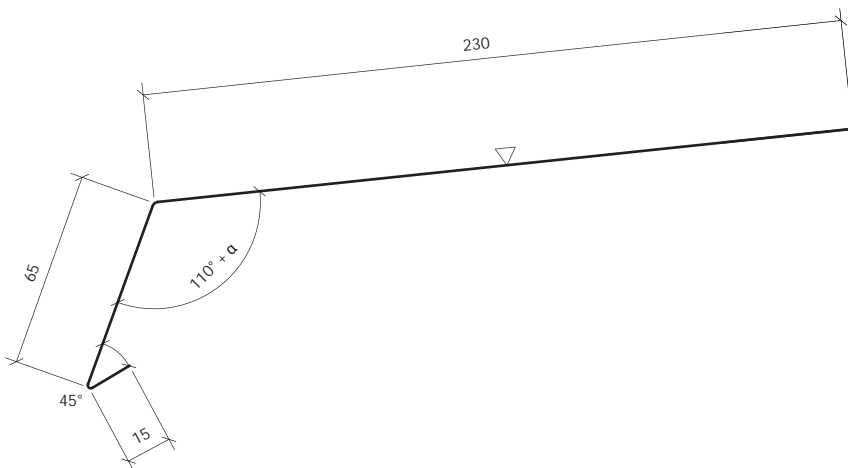
α - roof slope angle

### OBD-11

Eaves flashing B

Panel thickness [mm] 40-200

Extension [mm] 310



Detail: 3.5

α - roof slope angle



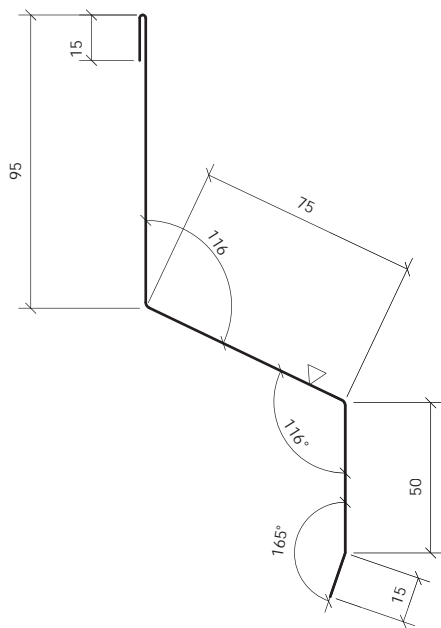
# 4. Flashings for roof cladding system (OBD)

## OBD-12

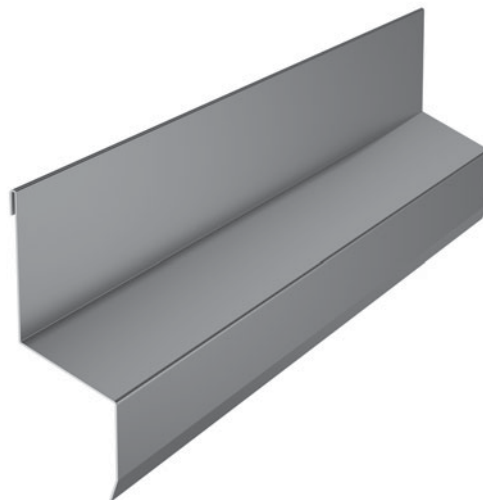
Eaves flashing C

Panel thickness [mm] 40-200

Extension [mm] 250



Detail: 3.7

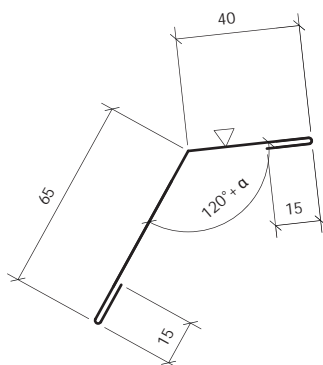


## OBD-13

Eaves flashing D

Panel thickness [mm] 40-200

Extension [mm] 135



Detail: 3.7



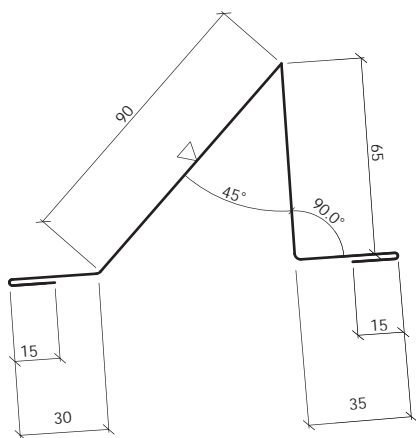
α - roof slope angle

## OBD-14

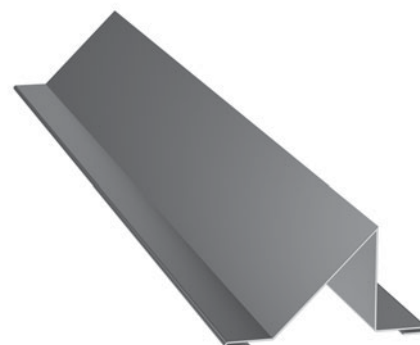
Snow guard flashing

Panel thickness [mm] 40-200

Extension [mm] 250



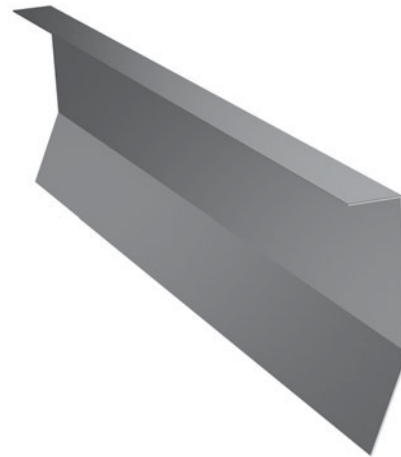
Detail: 3.6



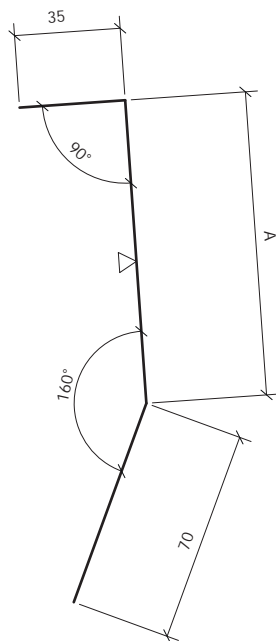
**OBD-15**

Shield flashing A

Panel thickness [mm]	60	80	100	120
Extension [mm]	165	185	205	225
<b>A</b>	60	80	100	120



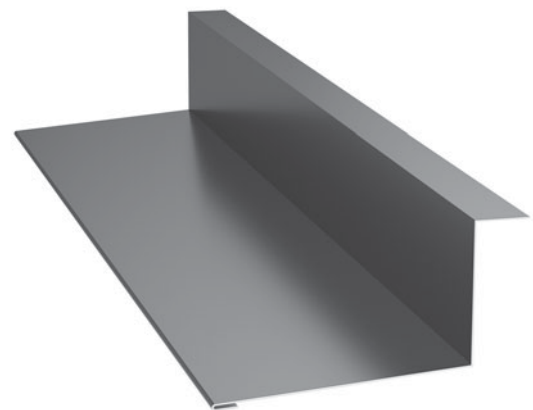
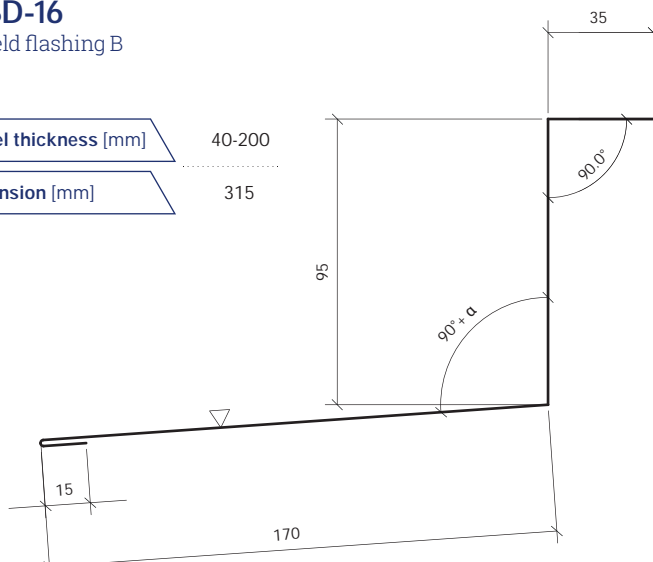
Detail: 3.7



**OBD-16**

Shield flashing B

Panel thickness [mm]	40-200
Extension [mm]	315



Detail: 3.8

$\alpha$  - roof slope angle

# 4. Flashings for roof cladding system (OBD)

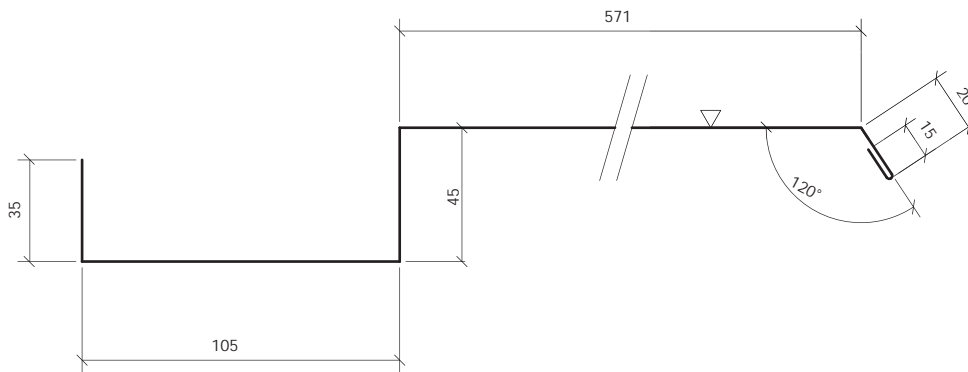
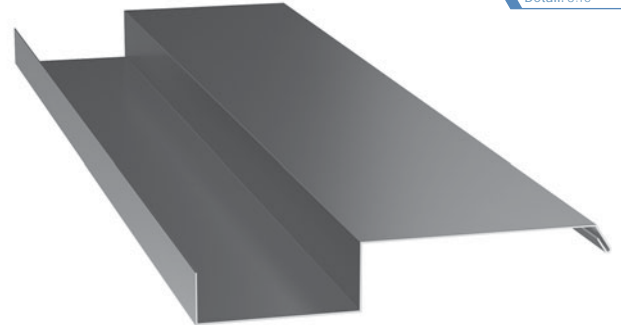
## OBD-17

Dilatation flashing A

Panel thickness [mm] 40-200

Extension [mm] 791

Detail: 3.10



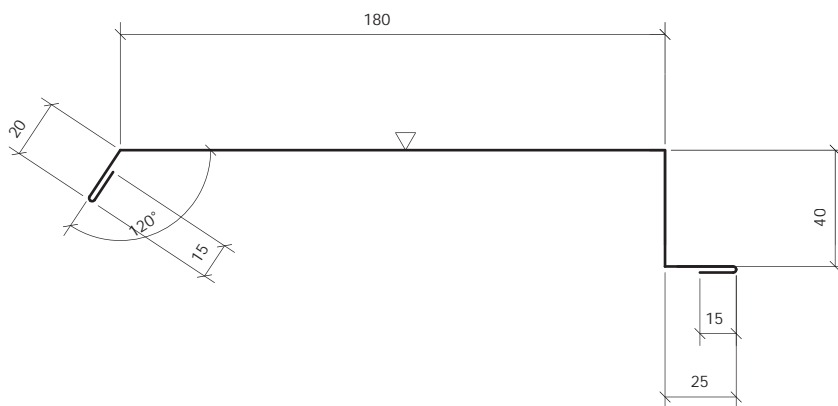
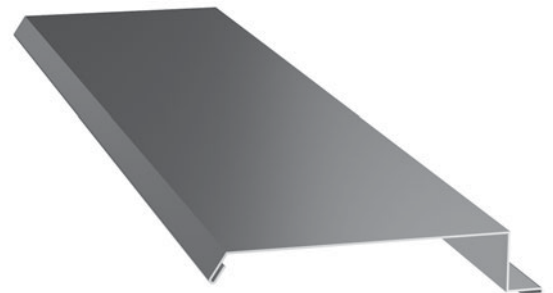
## OBD-18

Dilatation flashing B

Panel thickness [mm] 40-200

Extension [mm] 295

Detail: 3.10

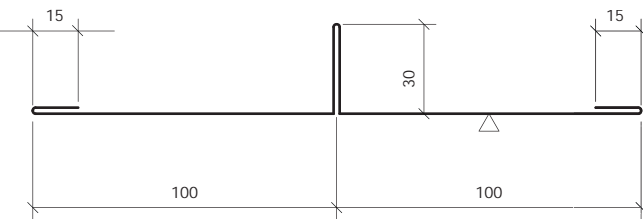


### OBD-19

Mask gap flashing

Panel thickness [mm] 40-200

Extension [mm] 290



Detail: 3.10



### OBD-20

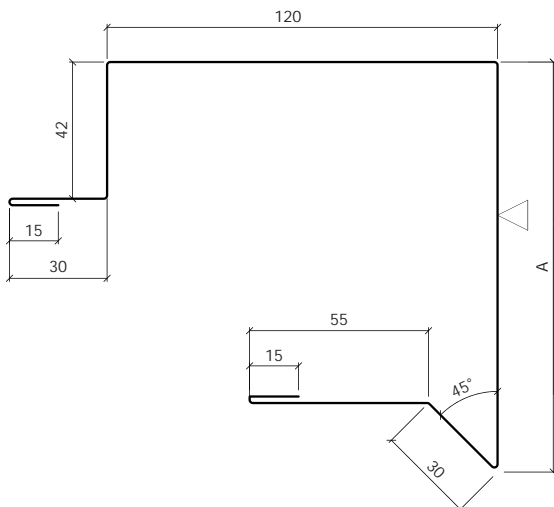
Wind flashing

Panel thickness [mm] 40 60 80 100 120

Extension [mm] 413 433 453 473 493

A

106 126 146 166 186



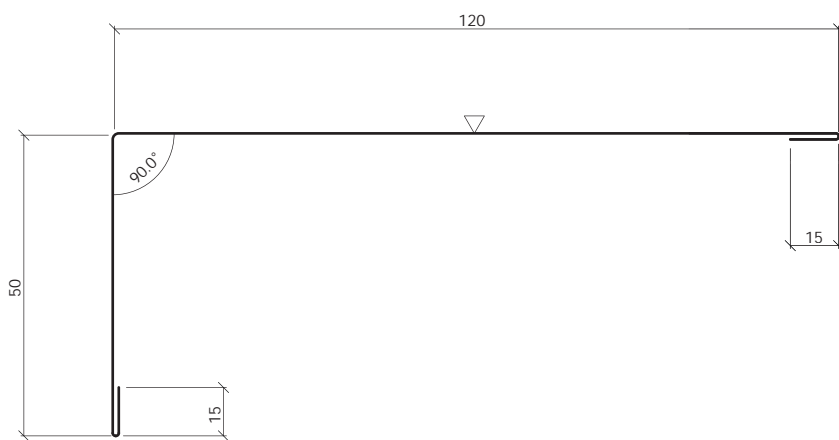
Detail: 3.11



Detail: 4.7, 4.8

## OBCH-1 Corner external flashing

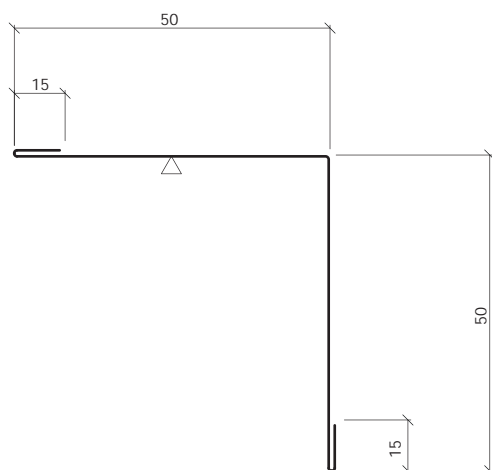
Panel thickness [mm]	40-200
Extension [mm]	200



Detail: 4.11, 4.15

## OBCH-2 Corner internal flashing A

Panel thickness [mm]	40-200
Extension [mm]	130



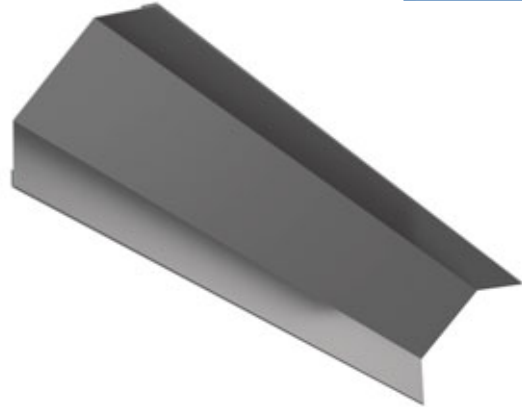
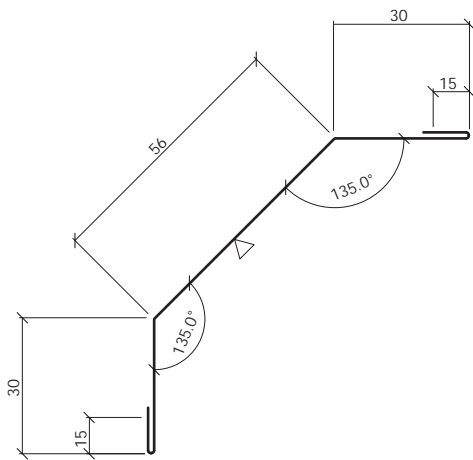
Detail: 4.7, 4.8, 4.11, 4.15

**OBCH-3**

Corner internal flashing B

Panel thickness [mm] 40-200

Extension [mm] 146

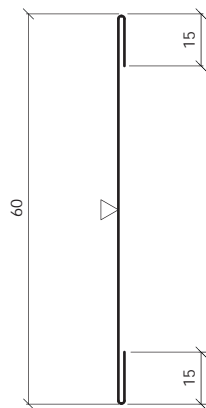


**OBCH-4**

Mask flat flashing

Panel thickness [mm] 40-200

Extension [mm] 90



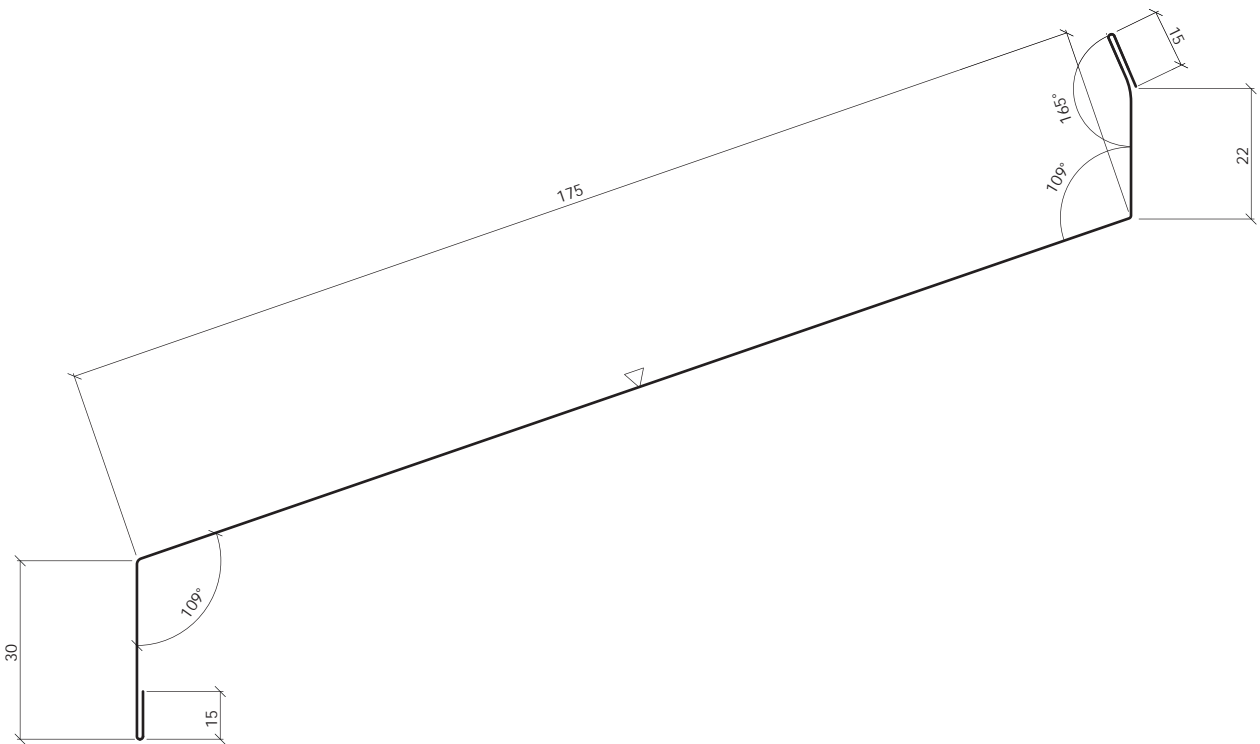
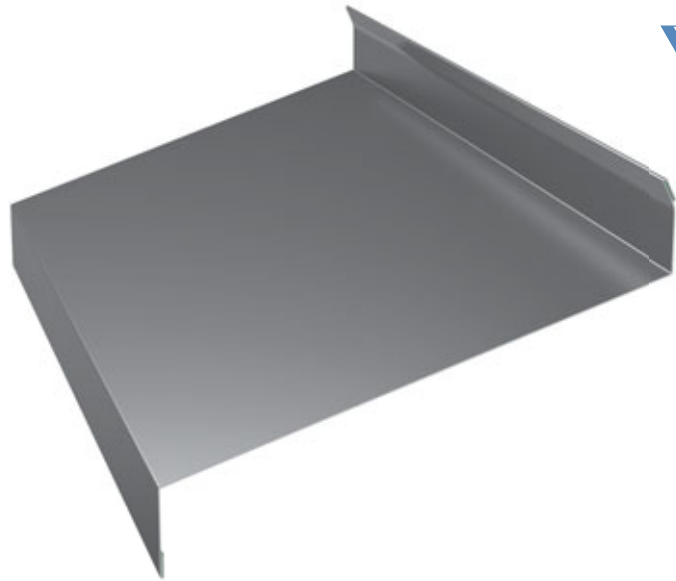
Detail: 4.6




















Detail: 4.14

## OBCH-5 Eaves flashing

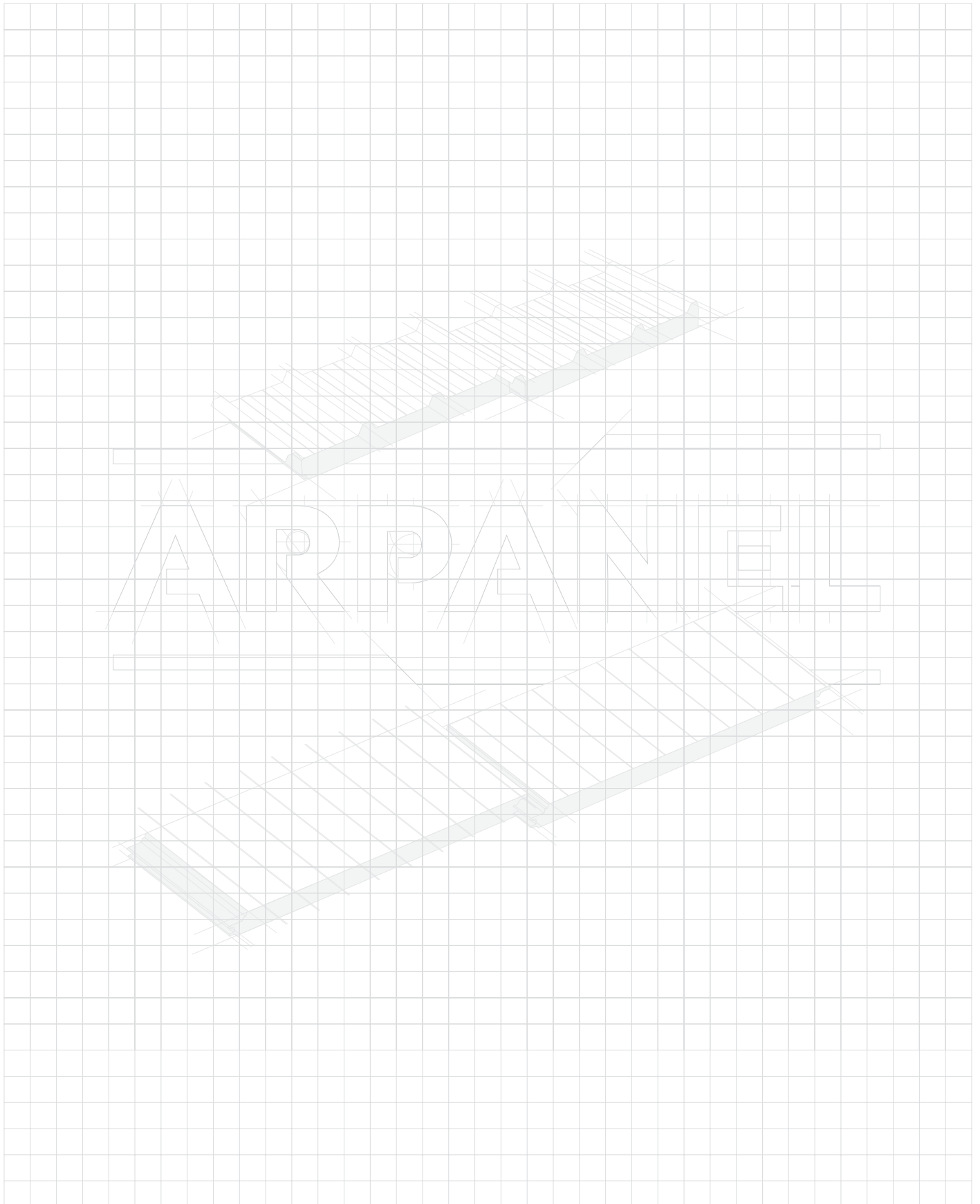
Panel thickness [mm]	40-200
Extension [mm]	272

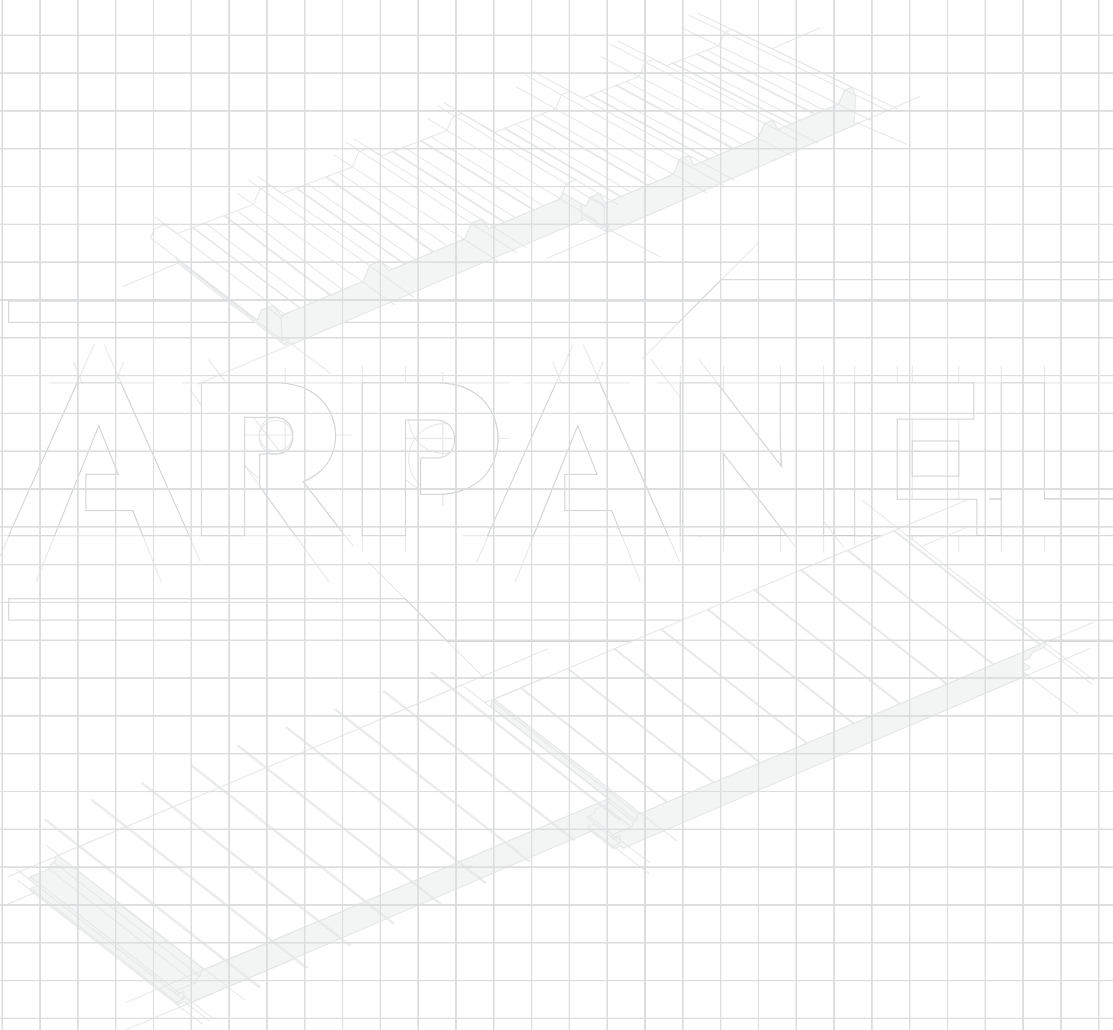


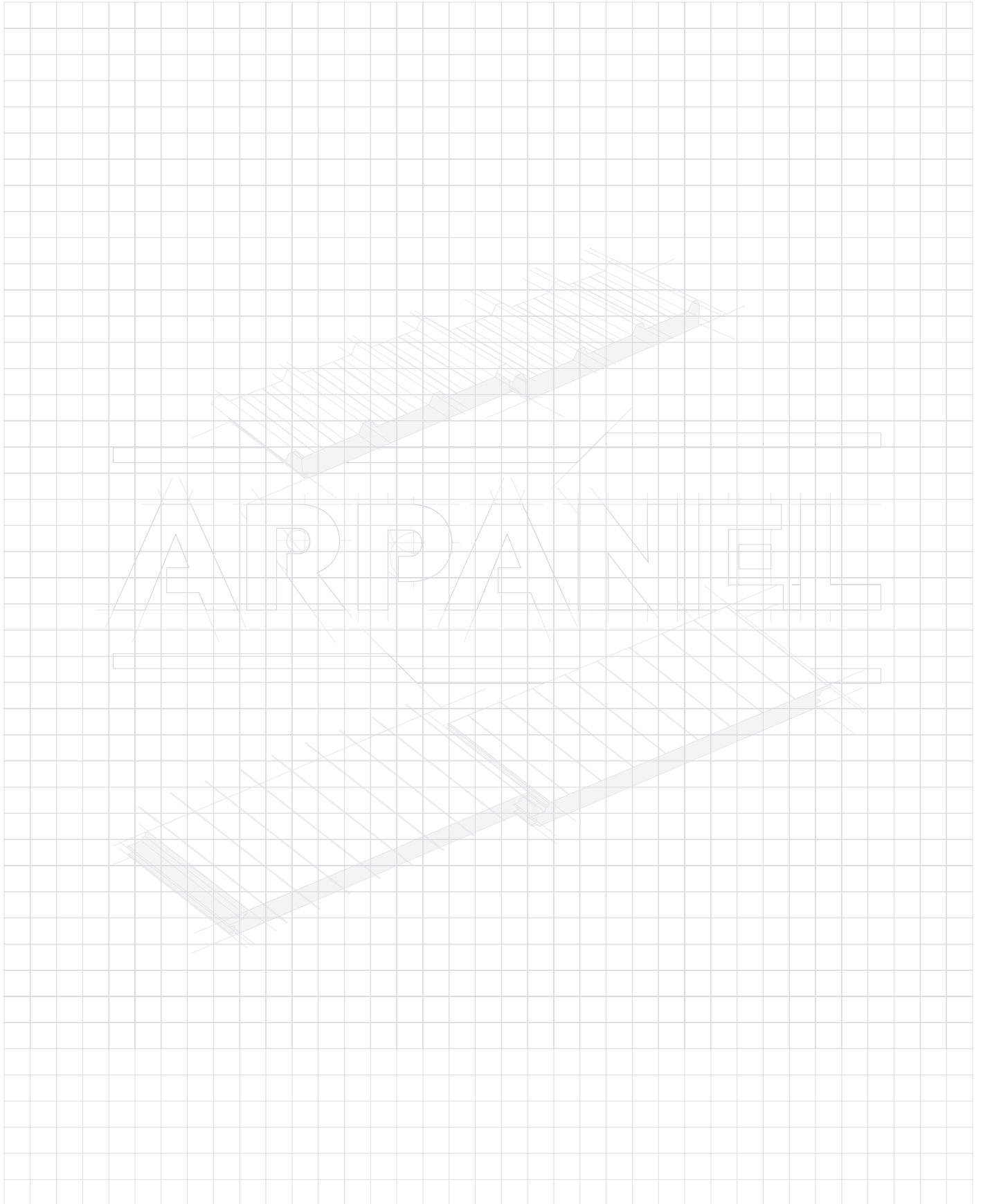
Symbols on gaskets and screws applied to install the sandwich panels ARPANEL

	Name ARPANEL	Type of product	Cross section	View
1	<b>US-01</b>	Profiled gasket for the roof trapezoid / "comb" gasket	PE TR-20mm/ AN 2UAE0948	
2	<b>US-02</b>	Acoustic and insulating gasket PES 20	PES 20 x 3	
3	<b>US-03</b>	Acoustic and insulating gasket PES 30	PES 30 x 3	
4	<b>US-04</b>	Acoustic and insulating gasket PES 40	PES 40 X 3	
5	<b>US-05</b>	Expanding gasket purs	10 x 2	
6	<b>Z 01</b>	Self drilling screw for installation of the sandwich panels (zinc coated)	62-260 mm	
7	<b>Z 01 A</b>	Self drilling screw for installation of the sandwich panels (stainless steel a-2)	62-260 mm	
8	<b>Z 02</b>	Self tapping screw for installation of the sandwich panels (zinc coated)	62-260 mm	
9	<b>Z 02 A</b>	Self tapping screw for installation of the sandwich panels (stainless steel a-2)	62-260 mm	
10	<b>Z 03</b>	Fastening screw (zinc coated)	19-25 mm	
11	<b>Z 03 A</b>	Fastening screw (stainless steel a-2)	19-25 mm	
12	<b>Z 04</b>	Screw to fasten the sheet to the steel structure (zinc coated)	19-25 mm	
13	<b>Z 05</b>	Screw to fasten sandwich panels to the reinforced concrete structure (zinc coated)	35-240 mm	
14	<b>KLT</b>	Calotte - trapezoid pad	36-32	
15	<b>NT</b>	Steel tight rivet	8-22 mm	
16	<b>RN 150</b>	Pressure distributor plate 150	150 mm	
17	<b>RN 75</b>	Pressure distributor plate 75	75 mm	









---

# ARPANEL

---

## **ARPANEL - Sandwich panels**

Adamietz Sp. z o.o.

Braci Prankel 1

47-100 Strzelce Opolskie

Poland

NIP [Tax Id. No.]: 756 18 36 633

tel. +48 77 463 00 55

fax +48 77 463 92 00

biuro@arpanel.eu

Adamietz Sp z o.o, the producer of ARPANEL sandwich panels, is not responsible for any differences between the content of technical catalogue and the real products parameters.

The producer reserves the right to implement changes and modifications to the content without prior notice.

Pursuant to the Civil Code, the content of the product card does not constitute a commercial offer.